

# M133W VESA Mounting Kit

Model Name: VS-M133-2

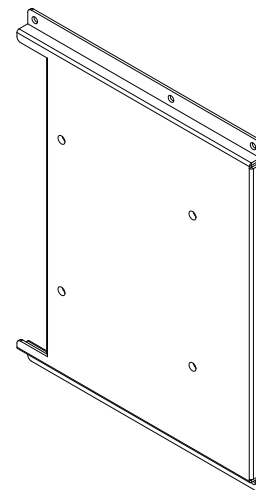
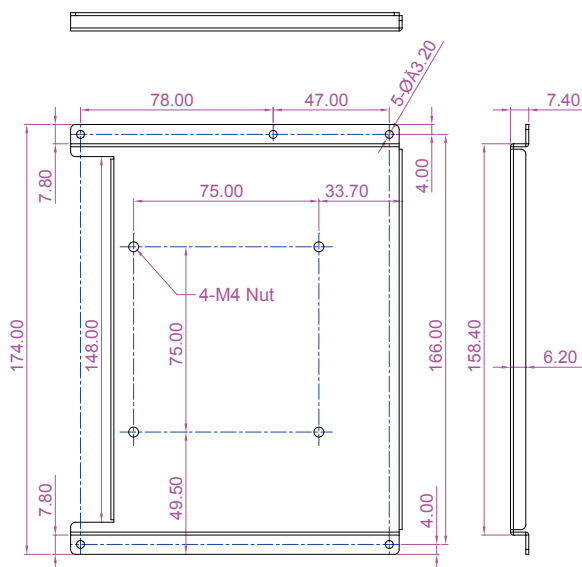
## Features:

- 75x75mm VESA Mount Points
- Slim Design; Metal in Black Paint
- VESA Mounting Kit has cutout to allow for removal/insertion of the M133W Main Battery

## Package Content:

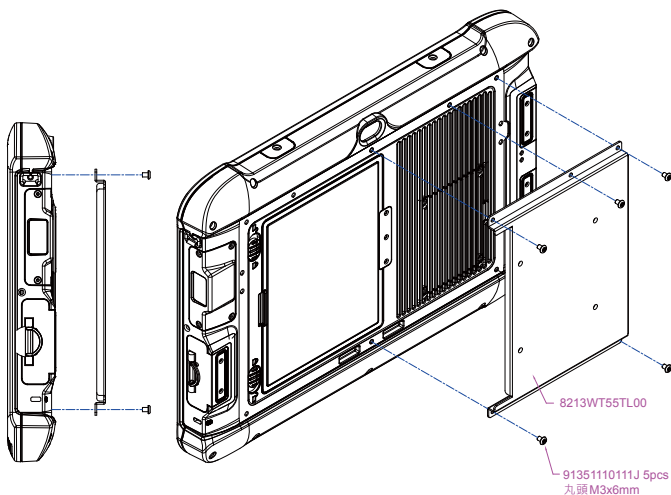
- M133W VESA Mounting Kit x 1
- M3\*6mm Round Screws x 5

## Dimensions:



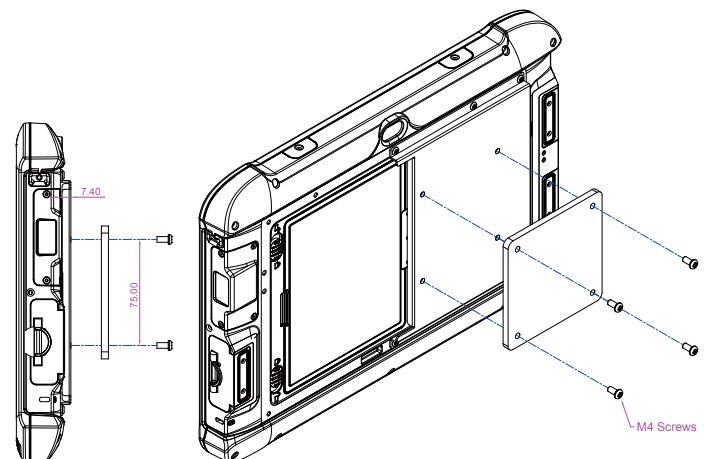
## Installation:

### VESA Mount Metal



M3\*6mm Round Screws x 5 pcs

### VESA Mount



M4 Screws x 4 pcs