

Vehicle Docking for M900 Series

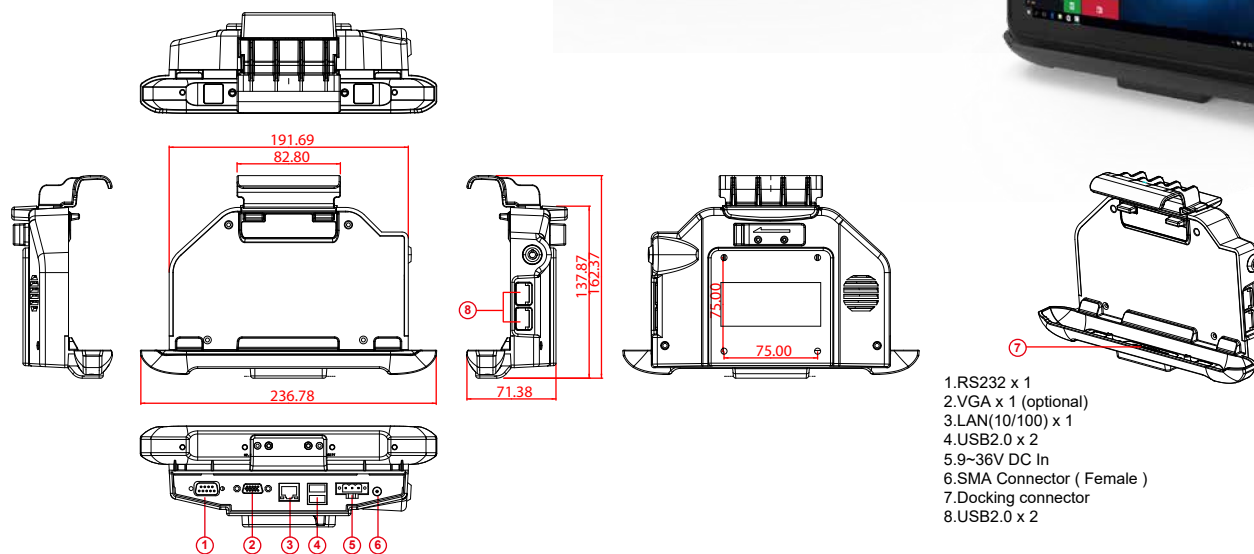
VD-M900

Product Features:

- Hold the tablet stably on moving vehicle
- Anti-theft design with key lockable cradle
- Wide power voltage input (9~36V DC in)
- 75 x 75 VESA standard for various standard fixtures
- SMA connector (Female) for external GPS antenna



Mechanical Drawing :



- 1.RS232 x 1
- 2.VGA x 1 (optional)
- 3.LAN(10/100) x 1
- 4.USB2.0 x 2
- 5.9~36V DC In
- 6.SMA Connector (Female)
- 7.Docking connector
- 8.USB2.0 x 2

One hand docking :



- 1 Insert the Tablet PC into the docking
2. Push down the hook, the lock will lock automatically

One hand undocking :



- 1.Slide the latch to open the hook
- 2.Remove the Tablet from docking

Specification

Dimension	236.78 x 162.37 x 71.38 mm
Power Input	9~36V DC In
I/O Support	4 x USB 2.0(Rear x2, Bottom x2) 1 x LAN (10/100) 1 x RS232 1 x VGA (Optional) 1 x GPS ANT SMA x 1
Vibration	MIL STD. 810G, 5~500Hz, 2.24G

Note

1. Under Android, the "Connect-to-PC" option needs to be turned off in order to make Docking I/O works