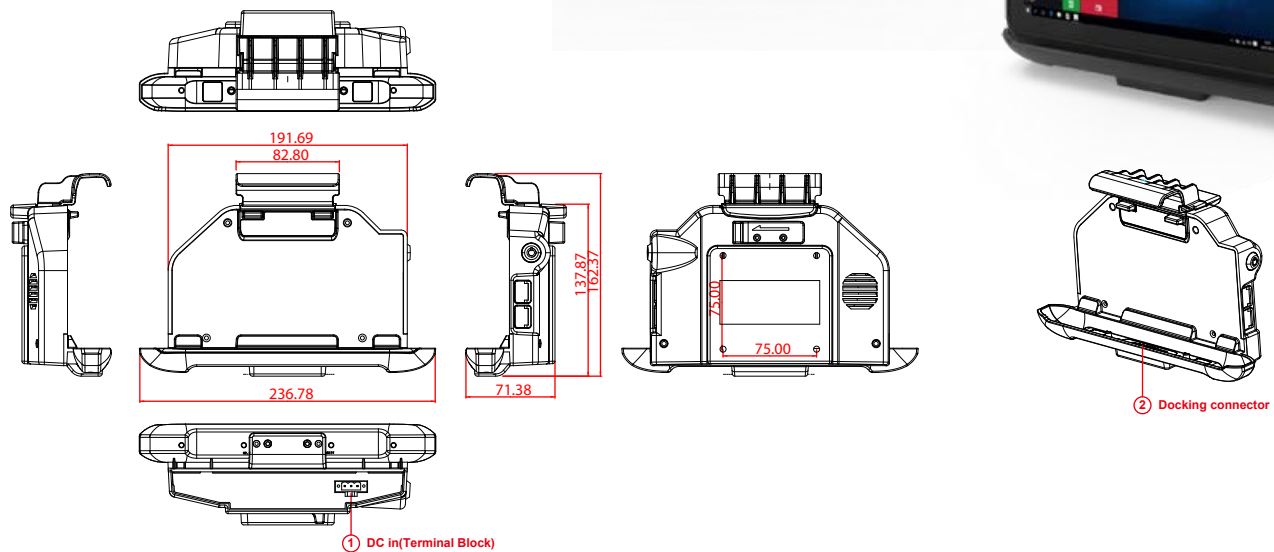


Product Features:

- Hold the tablet stably on moving vehicle
- Anti-theft design with key lockable cradle
- Wide power voltage input (9~36V DC in)
- 75 x 75 VESA standard for various standard fixtures



Mechanical Drawing :



One hand docking :



- 1 Insert the Tablet PC into the docking
2. Push down the hook, the lock will lock automatically

One hand undocking :



1. Slide the latch to open the hook
2. Remove the Tablet from docking

Specification

Dimension	236.78 x 162.37 x 71.38 mm
Power Input	9~36V DC In
Mounting	75 x 75mm VESA Mount
Vibration	MIL STD. 810G, 5 ~ 500Hz, 2.24G

Note

1. Under Android, the "Connect-to-PC" option needs to be turned off in order to make Docking I/O works