

Vehicle Cradle for M900 Series

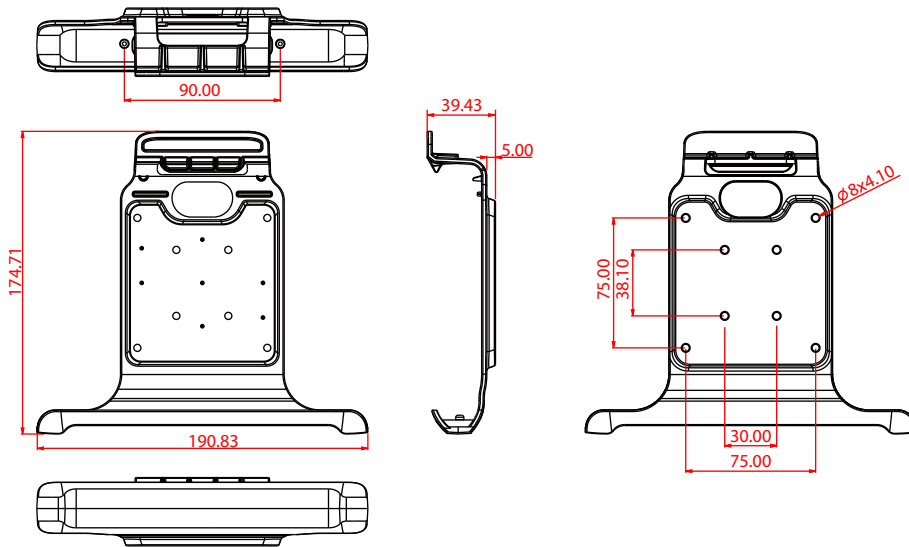
VC-M900

Product Features :

- Keeps the tablet securely fastened on moving vehicles
- Intuitive tablet insertion/ release design
- VESA mount for various standard fixtures



Mechanical Drawing :



Docking :

Step 1



Position the Tablet PC into the docking at 45 degree angle.

Step 2



Push up the hook and insert the tablet inside the docking.

Step 3



You finish the installation.

Undocking :

Step 1



Push up the hook and take the Tablet PC out of the docking.

Step 2



Remove the Tablet PC from the docking.

Specification :

Dimension	174.71 x 190.83 x 39.43 mm
Mounting	75 x 75mm VESA mount
Vibration	MIL-STD-810G, Method 514.6 Procedure I