

W24L100-PPA2-H

24" FHD1080P H Series Industrial Panel Mount Monitor (PCAP)



KEY FEATURES

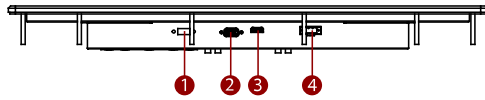
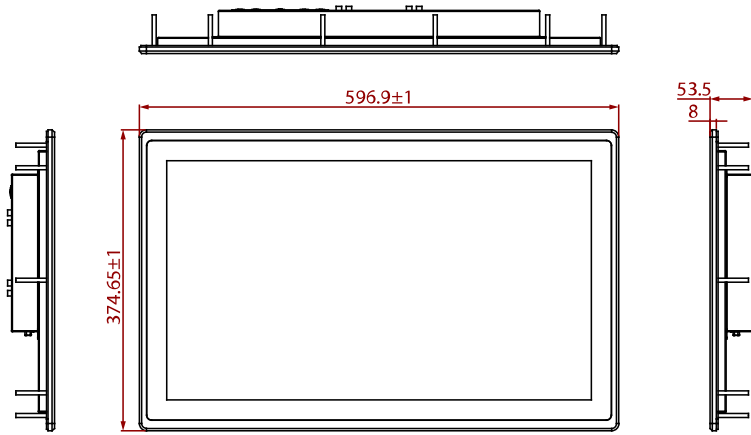
- 24" 1920 x 1080 PCAP touchscreen for Automation
- IP65 standards
- High resolution, high brightness options and contrast
- Touch Screen (PCAP)
- Aluminum steel bezel



SPECIFICATIONS

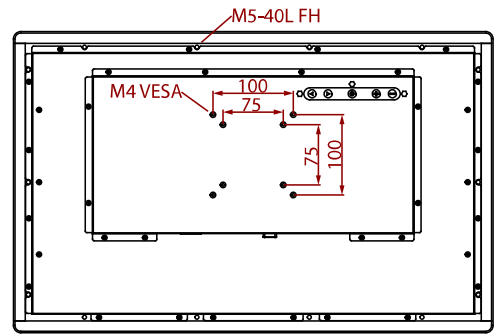
Display			
Resolution	1920x1080	Size	23.8 inches
Contrast Ratio	3000:1	Panel Brightness	250 nits
Display Color	16.7M Colors	View Angles	89,89,89,89
Touch / Glass	Projected Capacitive Multi Touch Screen		
Mechanical			
Dimension	596.9 x 374.65 x 53.5 mm	Mounting	VESA Mount/ Panel Mount
Enclosure	Metal Housing with Aluminum Bezel 8mm	Cooling System	Fanless Design
Cut out	566.7 x 342.4 mm		
Certification			
Certification	CE, FCC		
Environment			
Operating Humidity	10% to 90% (non-condensing)	Operating Temperature	0~50°C
Storage Temperature	-10~60°C		
IO Ports			
USB Port	1 x USB for Touch Screen	Video	1 x VGA 1 x HDMI (Optional)
Control			
Button	5 Keys: -, +, Power, Esc, Enter		
Power			
Power Rating	9V~36V DC In Terminal Block		
Accessory			
Accessory	M5 Nuts and Screws for panel mount 3 Pin Terminal Block User Manual VGA Cable	Optional Accessory	Adapter (Optional) Power converter cable (Optional) HDMI Cable (Optional)

DIMENSIONS UNIT:MM



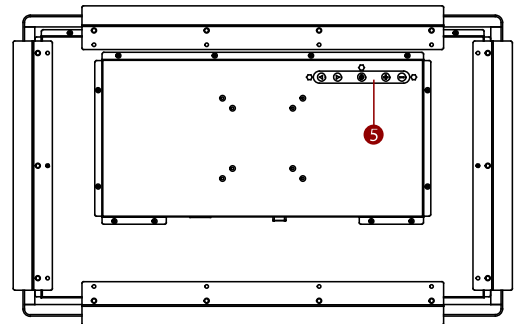
- ① USB Type-A
- ② VGA
- ③ HDMI
- ④ Power Input
- ⑤ OSD Control Panel

Display product with VESA mounting

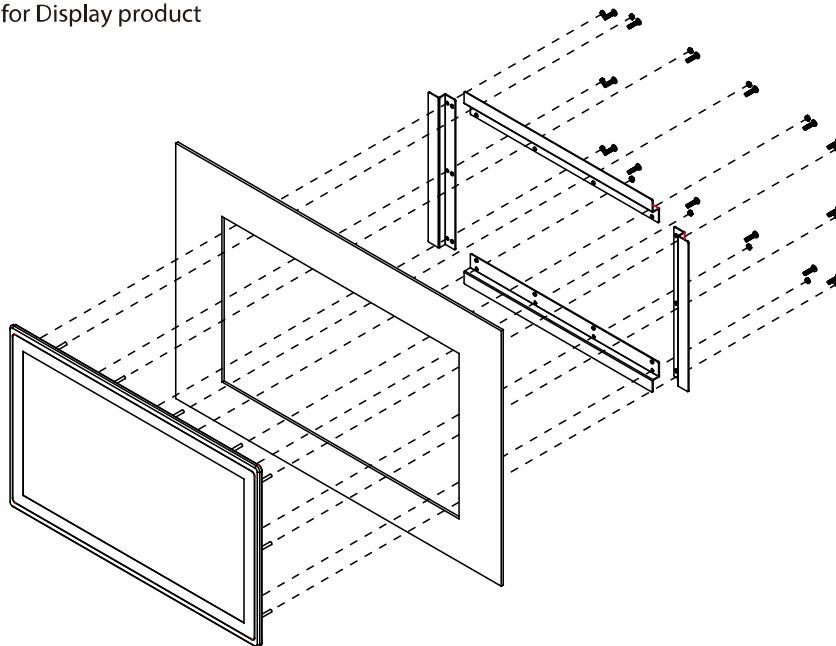


CUT:566.7x342.4 mm

Display product with mounting bracket guarantees equal pressure around entire perimeter



The installation way for Display product



NOTE

1. This is a simplified drawing and some components are not marked in detail.
2. Please contact our sales representative if you need further product information.
3. All specifications are subject to change without prior notice.