

W15FA3S-ELA4

15.6" (16:9) EL Series HMI Panel PC



KEY FEATURES

- 15.6" 1920 x 1080 Resolution with Projected Capacitive Multi-Touch (P-CAP)
- NXP i.MX6 Dual Core 1GHz
- Fanless cooling system and Ultra-low power consumption
- Front IP65 Water and Dust Proof
- 1 x USB; 1 x RS485; 1 x USB OTG; 1 x RJ45/LAN



SPECIFICATIONS

Display			
Resolution	1920x1080	Size	15.6 inches
Contrast Ratio	800:1	Panel Brightness	300 nits
View Angles	85,85,85,85	Active Area	344.16×193.59 mm
Touch / Glass	Projected Capacitive Multi Touch Screen		
System Specification			
Processor	NXP i.MX6 Dual Core, 1.0GHz	Memory	1GB 2GB (Optional)
Storage	Onboard 8GB eMMC	Operating System	Linux Ubuntu 18.04 Android 6.0 (Optional)
Mechanical			
Dimension	387.6 x 257.7 x 52.5 mm	Mounting	Panel mount VESA Mount
Enclosure	Metal Housing	Cooling System	Fanless design
Cut out	371.6x223.5mm		
Environment			
Operating Humidity	10% to 90% (non-condensing)	Operating Temperature	0~50°C
Storage Temperature	-20~60°C	IP rating	Front IP65
Certification			
Certification	CE, FCC		
IO Ports			
Power Input	1 x 12~24V DC, 3-Pin Terminal Block	USB Port	1 x USB2.0 (Type-A) 1 x USB OTG
Serial Port	1 x RS485, 3pin Terminal block	LAN	1 x LAN RJ45 Connector
Indicator	1 x LED Indicator for storage		
Control			
Button	1 x Reset Button		
Accessory			
Accessory	100~240V AC to DC Adapter		

Power Cord
 Terminal Block to 2.5Ø Female Adapter Cable
 Open Wire Cable with terminal block connector
 Mounting clips
 VESA screws

Power

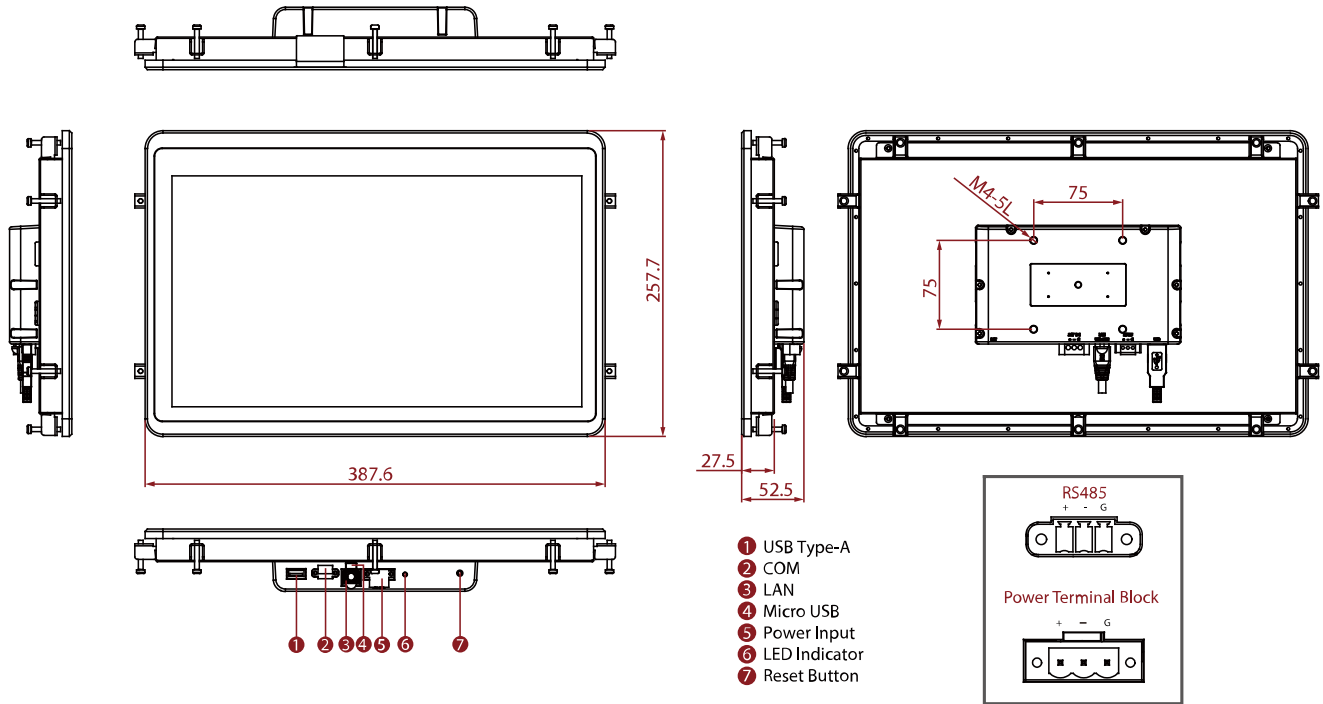
Power Rating 12V~24V with isolation, 3-Pin Terminal Block

Adapter

12V 50W

DIMENSIONS

UNIT:MM



NOTE

1. This is a simplified drawing and some components are not marked in detail.
2. The product shown in this datasheet is a standard model. For diagrams that contain customized or optional I/O, please contact the Winmate Sales Team for more information.
3. All specifications are subject to change without prior notice.