

W10IB3S-EHH2

10.1" (16:10) E Series HMI Panel PC



KEY FEATURES

- 10.1" 1280 x 800 PCAP touchscreen
- Intel® Celeron® N2930 Bay Trail
- Fanless cooling system
- Front IP65
- Dual Gigabit Ethernet



SPECIFICATIONS

Display			
Resolution	1280x800	Size	10.1 inches
Contrast Ratio	800:1	Panel Brightness	350 nits 1000 nits(Optional)
View Angles	85,85,85,85	Active Area	216.96 x135.6 mm
Touch / Glass	Projected Capacitive Multi Touch Screen		
System Specification			
Processor	Intel® Celeron® N2930 (2M Cache, up to 2.16 GHz)	Memory	1 x SO-DIMM, DDR3L 1600 MHz, 4GB 8GB (Optional)
Storage	1 x mSATA SSD 64GB. mSATA SSD up to 512GB. (Optional)	Ethernet controller	2 x Intel® Gigabit Ethernet Controller
Operating System	Windows 7 Embedded Systems (Optional) Windows 10 IoT Enterprise (Optional) Linux Ubuntu 18.04 (Optional)	WLAN	Support (Optional)
BT	Support (Optional)		
Mechanical			
Dimension	267 x 182 x 58 mm	Mounting	Panel mount VESA Mount (Optional)
Enclosure	Metal Housing	Cooling System	Fanless design
Cut out	244x159mm		
Environment			
Operating Humidity	10% to 90% (non-condensing)	Operating Temperature	0~50°C
Storage Temperature	-20~60°C	IP rating	Front IP65
Certification			
Certification	CE, FCC		
IO Ports			
Power Input	1 x 12V DC, 2.5φ DC jack	USB Port	1 x USB3.0 (Type-A) 1 x USB2.0 (Type-A)
Serial Port	1 x RS232/422/485 (Default RS232)	Video	1 x HDMI 1.4 (Optional)
Expansion Port	1 x mPCIe slot(for half size Wifi module)	LAN	2 x Giga LAN RJ45 Connector
mini PCIe	1 x Mini PCIE(For WLAN)		

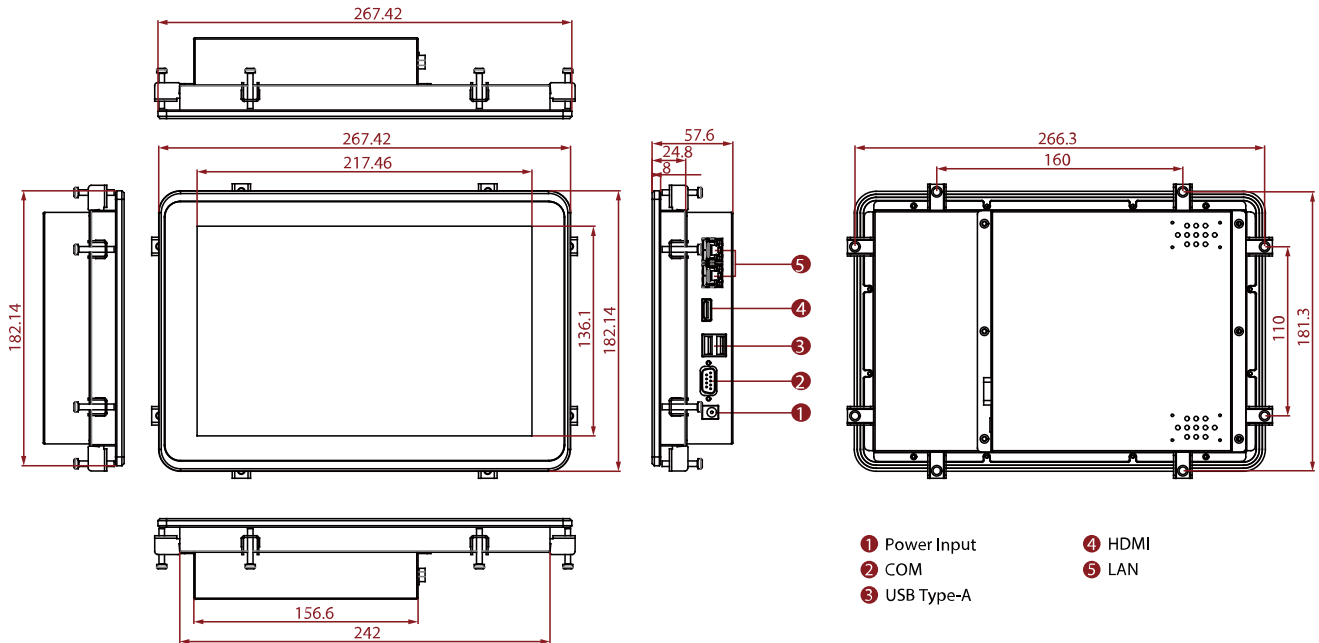
Accessory

Accessory	100~240V AC to DC Adapter Power Cord Driver CD & Manual VESA screws Mounting clips
------------------	--

Power

Power Rating	12V DC 9~36V (Optional)	Adapter	12V 50W
---------------------	----------------------------	----------------	---------

DIMENSIONS UNIT:MM



NOTE

1. This is a simplified drawing and some components are not marked in detail.
2. The product shown in this datasheet is a standard model. For diagrams that contain customized or optional I/O, please contact the Winmate Sales Team for more information.
3. All specifications are subject to change without prior notice.