

# M101P

## 10.1" Intel® Pentium N4200 Rugged Tablet PC



### KEY FEATURES

- Intel® Apollo Lake Pentium N4200 Processor
- Low power consumption with fanless design
- 10.1" 1920 x 1200 IPS LED Panel with direct optical bonding
- Sunlight readable with anti-glare solution
- Removable battery with hot-swap function for all day productivity
- IP65 water and dust proof with MIL-STD-810G rugged housing



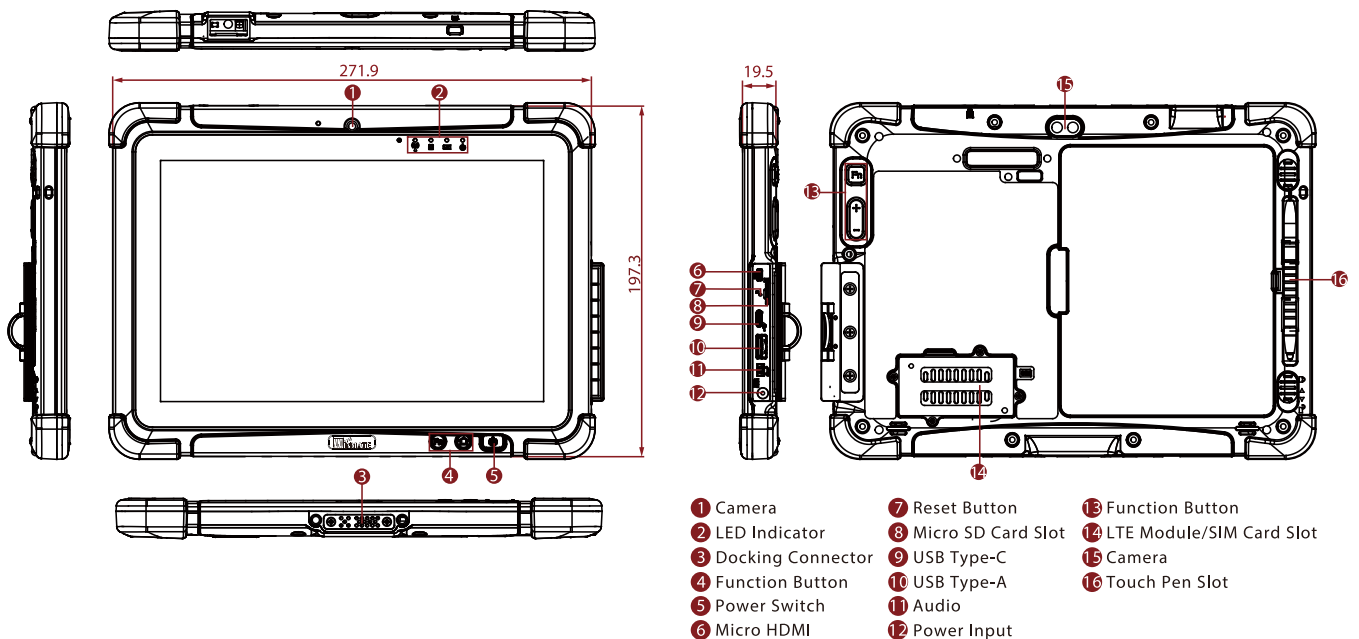
### SPECIFICATIONS

Display	
<b>Resolution</b>	1920x1200
<b>Contrast Ratio</b>	800:1
<b>View Angles</b>	85,85,85,85
<b>Viewability</b>	Anti-Glare touch treatment
<b>Size</b>	10.1 inches
<b>Panel Brightness</b>	800 nits
<b>Type</b>	Projected Capacitive Multi Touch
<b>Bonding</b>	Optical Bonding for Sunlight Viewability
System Specification	
<b>Processor</b>	Intel Pentium N4200 Processor 1.10 GHz, up to 2.50 GHz with turbo boost technology
<b>Storage</b>	128GB SSD Additional storage available with micro SDXC card slot 256GB SSD (Optional) 512GB SSD (Optional)
<b>Operating System</b>	Windows 10 IoT Enterprise (64 bit)
<b>BT</b>	Support
<b>GNSS</b>	GPS, GLONASS
<b>Sensors</b>	Light sensor/ g-sensor / Gyro
<b>Memory</b>	4GB LPDDR4 8GB LPDDR4 (Optional)
<b>Security</b>	Trusted Platform Module (TPM) 2.0 Kensington Lock
<b>WLAN</b>	Support
<b>WWAN</b>	4G LTE (Optional)
<b>RFID</b>	HF RFID 13.56 MHz reader (Optional) add-on UHF RFID Reader (Optional)
<b>Smart Card Reader</b>	Add-on Smart Card Reader (Optional)
Camera	
<b>Front Camera</b>	2MP Front Camera
<b>Rear Camera</b>	8MP Rear Camera with auto-focus and LED light
Mechanical	
<b>Dimension</b>	271.9 x 197.3 x 19.5 mm
<b>Weight</b>	1.2 kg (2.65 lbs) with standard battery, 1.4 kg (3.1 lbs) with optional high capacity battery
<b>Cooling System</b>	Fanless design
IO Ports	
<b>USB Port</b>	1 x USB 3.0 (Type A), 1 x USB 3.0 (Type C)
<b>SIM Card Slot</b>	1 x SIM card slot
<b>Audio</b>	1 x Audio combo 3.5mm audio combo jack (Mic in or Line Out) Dual Digital Mic With Noise Cancellation Dual Speaker
<b>SD Card Slot</b>	1 x Micro SDXC slot
<b>Video</b>	1 x Micro HDMI (Optional)
<b>Expansion Port</b>	1 x Expansion connector for USB 2.0/ Full RS232 (Optional)
<b>Indicator</b>	4x LED Indicator for Power, Battery, HDD, RF
<b>Docking Connector</b>	1 x 19-pin docking connector

status

Environment			
<b>Operating Humidity</b>	10% to 90% RH, non-condensing	<b>Operating Temperature</b>	-20°C to 60°C (AC mode), -10°C to 50°C (Battery mode)
<b>Storage Temperature</b>	-30°C to 70°C (-22°F to 158°F)	<b>Shock</b>	MIL-STD-810G Method 516.6 Procedure I
<b>Vibration</b>	MIL-STD-810G Method 514.6 Procedure I	<b>IP rating</b>	IP65 certified, dustproof and waterproof
<b>Drop</b>	MIL-STD-810G Method 516.6, 4 ft		
Certification			
<b>Certification</b>	CE, FCC, UL, PTCRB, Verizon		
Security Function			
<b>SOTI MobiControl</b>	SOTI MobiControl Compliance	<b>Kensington Lock</b>	Kensington Lock Support
Control			
<b>Button</b>	1 x Power, 1 x Home, 2 x Volume, 2 x Programmable Function Keys		
Power			
<b>Battery</b>	Hot-swappable 7.7V, typ. 5900 mAh Li-Polymer Battery (2S1P) 7.4V, typ. 10280 mAh Li-Polymer Battery (2S2P, optional)	<b>Battery Operating Time</b>	Standard. Battery: 9 hours High Capacity Battery: 16 hours
<b>Power Rating</b>	19V DC	<b>Adapter</b>	100-240V, 50-60Hz / 19V DC
Accessory			
<b>Accessory</b>	Adapter and Power Cord Capacitive Stylus Standard Battery	<b>Optional Accessory</b>	Desk Dock (Optional) Vehicle Dock (without VGA output) (Optional) Vehicle Cradle (Optional) Battery Charger (Optional) Smart Card Reader (Optional) High Capacity Battery (Optional) Hand Strap (Optional) VESA Mount Kit (Optional) Shoulder Strap (Optional) Carry Bag (Optional) Vehicle Charger (Optional)
Barcode Scanner			
<b>Barcode Scanner</b>	1D/2D barcode reader (Optional)		

## DIMENSIONS UNIT:MM



## NOTE

1. Total usable memory will be less dependent upon actual system configuration.
2. The USB Type-C connector follows USB 3.0 standard, which does not support Alternate Mode (ALT) or USB Power Delivery (USB-PD).
3. Add-on modules require the expansion port option to be usable.
4. TPM 2.0 available upon request.
5. SOTI is available upon request.
6. Measured at dimming LCD brightness. Varies depending on the usage conditions, or when an external device is attached.
7. Length measurements do not include protrusions. Weight varies with options and active pen.
8. The drop test with a high-capacity battery must come with a hand strap.
9. Accessories and Integrated Options may vary depending on your configuration.
10. This is a simplified drawing and some components are not marked in detail.
11. The product shown in this datasheet is a standard model. For diagrams that contain customized or optional I/O, please contact the Winmate Sales Team for more information.